



MANITOU

665
TURBO

Comfort

FUTURE SERVICES
TEL: H.Q. 2420007
FAX: H.Q. 2420008

TELESCOPIC

MANITOU



MAI

MMT 665
TURBO

Comfort

CHASSIS S.M. 167
CHASSIS S.M. 167
POTENZA: 160kW

MAI

4

MANISCOPIC

MVT 665

Turbo



- **Lift Capacity: 14,300 lb.**
- **Maximum Lift Height: 19 ft.**
- **Maximum Forward Reach: 12 ft. 2 in.**
- **Perkins 101 HP Engine**
- **Two Speed Hydrostatic Transmission**
- **Load Sensing Hydraulics**
- **Four Wheel Drive**
- **Three Steering Modes**



MANITOU

MVT 665T



Lift Capacity:

Maximum (24 in. load center)14,300 lb.
Break out force on bucket teeth
with tilting ram (ISO 8313)15,700 lb.



Lift Height:

Maximum lift height.....19 ft.
Maximum forward reach12 ft. 2 in.
Times: unladen / loaded (in sec)
Lifting7.8/8.2
Lowering5.6/5.0
Boom extension.....8.0/8.2
Boom retraction.....5.0/6.0



Tires:

.....18 x 22.5 16PR



Forks:

Length.....60 in.
Thickness/width2.75 in. x 6 in.
Carriage rotation135°



Brakes:

.....Multidisc - hydraulically assisted on four wheels



Engine:

Type.....Perkins 1104C.44 Turbo
Displacement.....4 cyl. 268 cu. in.
Power101 HP/74.5 kw
Maximum Torque296 ft.lb. at 1400 rpm
Injection.....Direct
CoolingWater



Transmission:

TypeHydrostatic
Electro-hydraulic reversing shift
Speeds forward/reverse2/2
Maximum travel speed15.5 mph



Hydraulics:

PumpVariable Disp. Piston Type
Flow3900 PSI - 34 gpm
Flow divider with priority to steering and braking



Capacities:

Cooling system4.2 gal.
Engine oil2.1 gal.
Hydraulic oil29 gal.
Fuel tank.....26.4 gal.

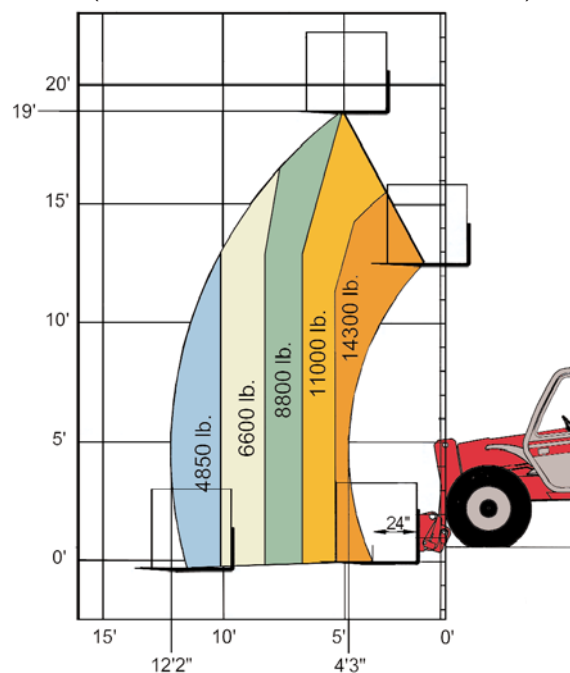


Specifications:

Weight (base unit)23,717 lb.
Turning radius (outside wheels).....140 in.
Overall height.....99 in.
Overall width.....96 in.
Overall length (without forks)184 in.
Ground clearance.....16 in.
Maximum drawbar pull24,500 lbf.

LOAD CAPACITY CHART

CALCULATED WITH 48" CARRIAGE AND 48" FORKS
(OPTIONAL ATTACHMENTS CAN DERATE THIS CHART)



Capacities shown in pounds/feet are the maximum recommended load limits at the indicated extensions of the boom. Capacity ratings are based on a 48" homogeneous cube and are in accordance with ANSI/ASME B56.6 stability standards. Capacity reductions must be made for extended load centers and when used with various other attachments, contact MANITOU NORTH AMERICA, INC.

DIMENSIONS:

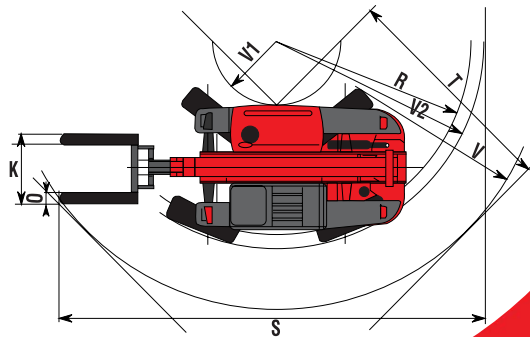
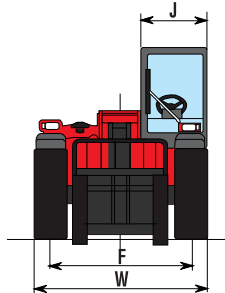
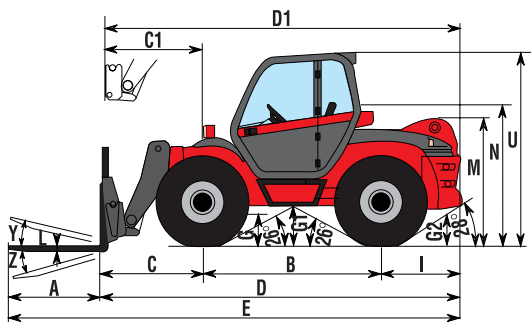
A.....60	L.....2.75
B.....98	M.....73
C.....40	N.....68
C1.....34	O.....6
D.....184	R.....132
D1.....178	S.....277
E.....231	T.....156
F.....78	U.....99
G.....16	V.....175
G1.....19	V1.....37
G2.....16	V2.....140
I.....46	W.....96
J.....34	Y.....11°
K.....56	Z.....124°

STANDARD EQUIPMENT:

- Enclosed Cab
- Hydraulic Power Steering
- Three Steering Modes
- Full Time 4 Wheel Drive
- Limited Slip Front Axle
- Three Gear Outer Planetary Hubs
- Adjustable Seat
- Full Instrumentation
- Road Lights
- Horn
- Backup Alarm
- Inboard Wet Disc Brakes
- Parking Brake
- Quick Fit Tool System
- Automatic Attachment Leveling
- Hydraulic Lock-out Valves
- Auxiliary Boom Hydraulics
- Left & Right Side Mirrors
- Neutral Start Switch
- Tow Pin

OPTIONAL EQUIPMENT:

- A wide variety of attachments and options are available to meet the customer's individual applications



This publication in no way constitutes an offer and the company reserves the right to alter specification without prior notice. The MANITOU models presented in this brochure can be supplied complete with optional equipment attachments.

2/15/06 Printed in U.S.A.

MANITOU NORTH AMERICA, INC.
P.O. Box 21386
Waco, TX 76702-1386
Tel: 800-433-3304 Fax: 254-799-4433
www.manitou-na.com

