



CAT TH360B

360
473

العدد 473
No.



TH360B

Telehandler



SPECIFICATIONS

Engine

Engine Model	Cat® 3054E
Gross Power	74.5 kW/100 hp
Maximum Torque	410 Nm
Bore	105 mm
Stroke	127 mm
Displacement	4.4 liter

- All engine horsepower (hp) are metric.
- Engine meets EU directive 97/68/EC Stage II emission requirements.
- Gross power to ISO 14396
- Maximum power shown is at 2200 rpm
- Maximum torque shown is at 1400 rpm.

Weights

Operating Weight	9970 kg
------------------	---------

Operating Specifications

Rated Load Capacity	3500 kg
Maximum Lift Height	13 500 mm
Load at Max Height	
Stabilizers Down	3500 kg
Stabilizers Up	1500 kg
Maximum Forward Reach	9200 mm
Load at Max Reach	
Stabilizers Down	1400 kg
Stabilizers Up	400 kg
Top Travel Speed	32 km/h

Tires

Standard	15.5/80-24 16 PR
----------	------------------

Brakes

Foot Brake	Servo assisted on front axle
Parking Brake	Dry disc on front axle

Hydraulic System

Maximum System Pressure	250 bar
Maximum Pump Flow	113 liter/min
Auxiliary Hydraulic Supply	60 liter/min
Pump Type	Variable Displacement Load Sensing Axial Piston Pump

Service Refill Capacities

	liter
Fuel Tank	100
Hydraulic Tank	64.5

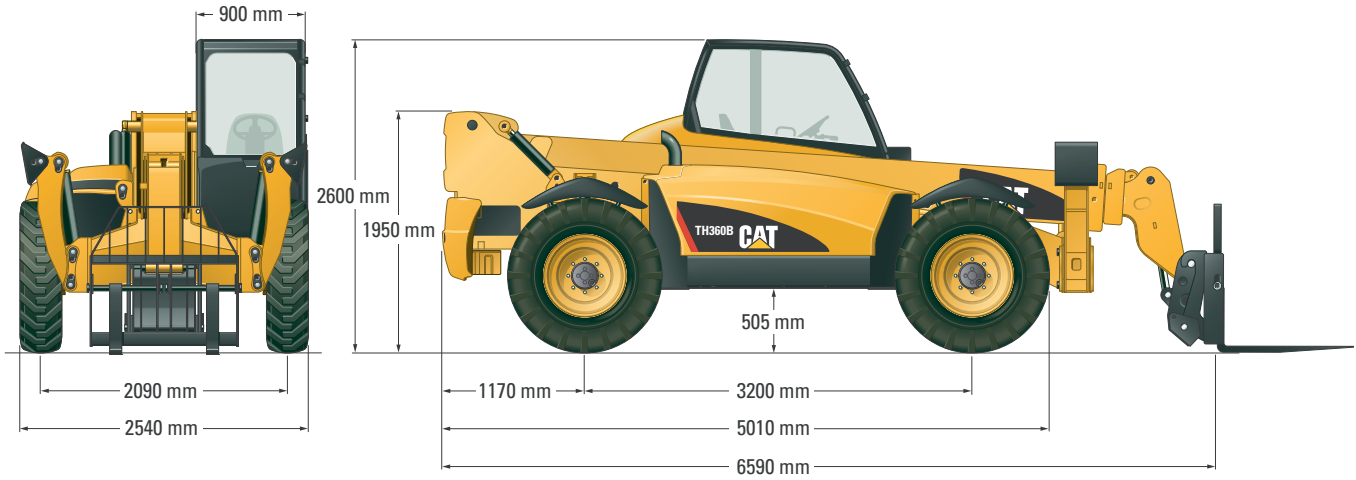
Transmission Speeds

Forward	km/h
1	6
2	12
3	20
4	32
Reverse	
1	6
2	12
3	20

Boom Performance

	seconds
Boom Up	16
Boom Down	8
Tele In	12
Tele Out	16
Crowd Forward (dump)	3
Crowd Backward	3
Combined	
Up and Out	33
Down and In	17
Boom Breakout Force	5010 kN

Dimensions



Load Chart

