

# MVT 665/675

## TURBO

- Max. lift height : 6.00 m
- Capacity : 6500/7500 kg
- Maximum forward reach : 3.73 m
- Hydrostatic transmission



MANISCOPIC



Reach at maximum height : 1.40 m

## MVT 665 T/675 T



**Lift capacity**.....6500 kg .....7500 kg  
at 600 mm from forks heels.



**Lift height** : .....5.80 m.....5.80 m



**Tyres**  
MVT 665 .....18 - 22.5 T35 16 PR TL  
MVT 675 .....18 - 22.5 XF



**Forks (mm)**  
Length .....1200  
Width x thickness .....200 X 60  
Maximum distance between forks .....1430  
Carriage rotation.....MVT 665 T.....135°  
MVT 675 T.....115°



**Multidisc brakes - hydraulically assisted on both axles**



**PERKINS Engine**  
Type.....1004.4 Turbo  
Capacity .....4 cyl. - 3990 cm<sup>3</sup>  
Power (DIN 70-020) .....106 HP/78 kw  
Rated speed : .....2300 rpm  
Direct Injection  
Water Cooling



**Hydrostatic transmission**  
Electro-hydraulic reversing shift  
Hydraulic variable displacement pump and motor  
2 speeds forward and reverse  
Maximum travel speed.....25 km/h



**Hydraulics**  
Gear pump : .....275 bars/140 l/mn  
Flow divider with loadsensing device driving



**Capacities**  
Cooling system.....16 l.  
Engine oil : .....8.1 l.  
Hydraulic oil .....110 l.  
Fuel tank .....100 l.



**Weight unladen (with forks)** .....11400 kg .12100 Kg  
**Overall width**.....2.44 m .....2.44 m  
**Overall height**.....2.51 m .....2.51 m  
**Turning radius (outside wheels)** .....3.57 m .....3.57 m  
**Overall length**.....4.67 m .....4.67 m  
**Ground clearance** .....0.49 m .....0.49 m  
**Drawbar pull** .....10100 daN 10100 daN

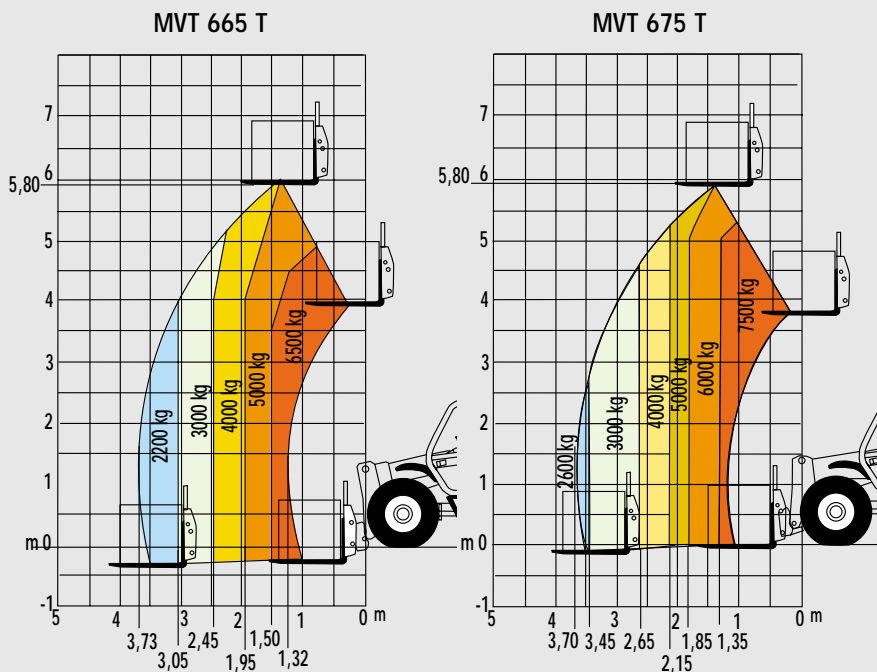
**MVT 665 T MVT675 T**

**MVT 665 T MVT675 T**

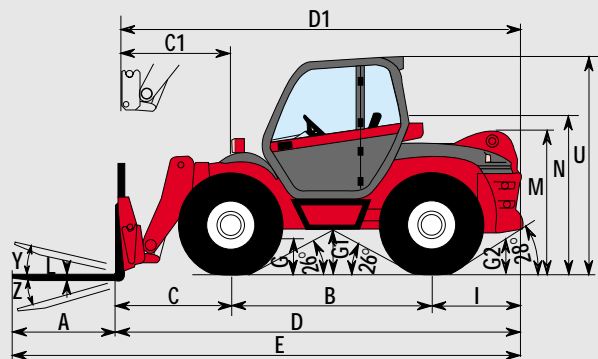
**MVT 665 T MVT675 T**

**MVT 665 T MVT675 T**

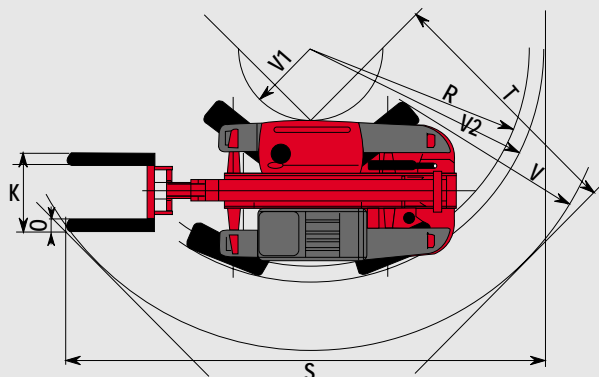
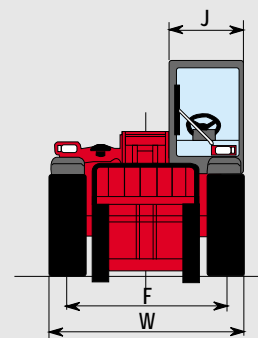
**MVT 665 T MVT 675 T**



Under EN 1459 annexe B



A	1200
B	2500
C	1010
C1	870
D	4670
D1	4530
E	5870
F	1990
G	400
G1	490
G2	400
I	1160
J	865
K	1430
L	60
M	1850
N	1890
O	200
R	3340
S	7025
T	3950
U	2510
V	4450
V1	950
V2	3565
W	2440
Y	11°
Z	124°*



mm  
\*MVT 675 T : 104°

This publication in no way constitutes an offer and the company reserves the right to alter specification without prior notice.  
The MANITOU models presented in this brochure can be supplied complete with optional equipment attachments



MANITOU B.F. S.A.  
B.P. 249 - 44158 ANCENIS CEDEX - FRANCE  
TEL : 33 2 40 09 10 11  
EXPORT DEPARTMENT FAX : 33 2 40 09 10 97  
www.manitou.com





