

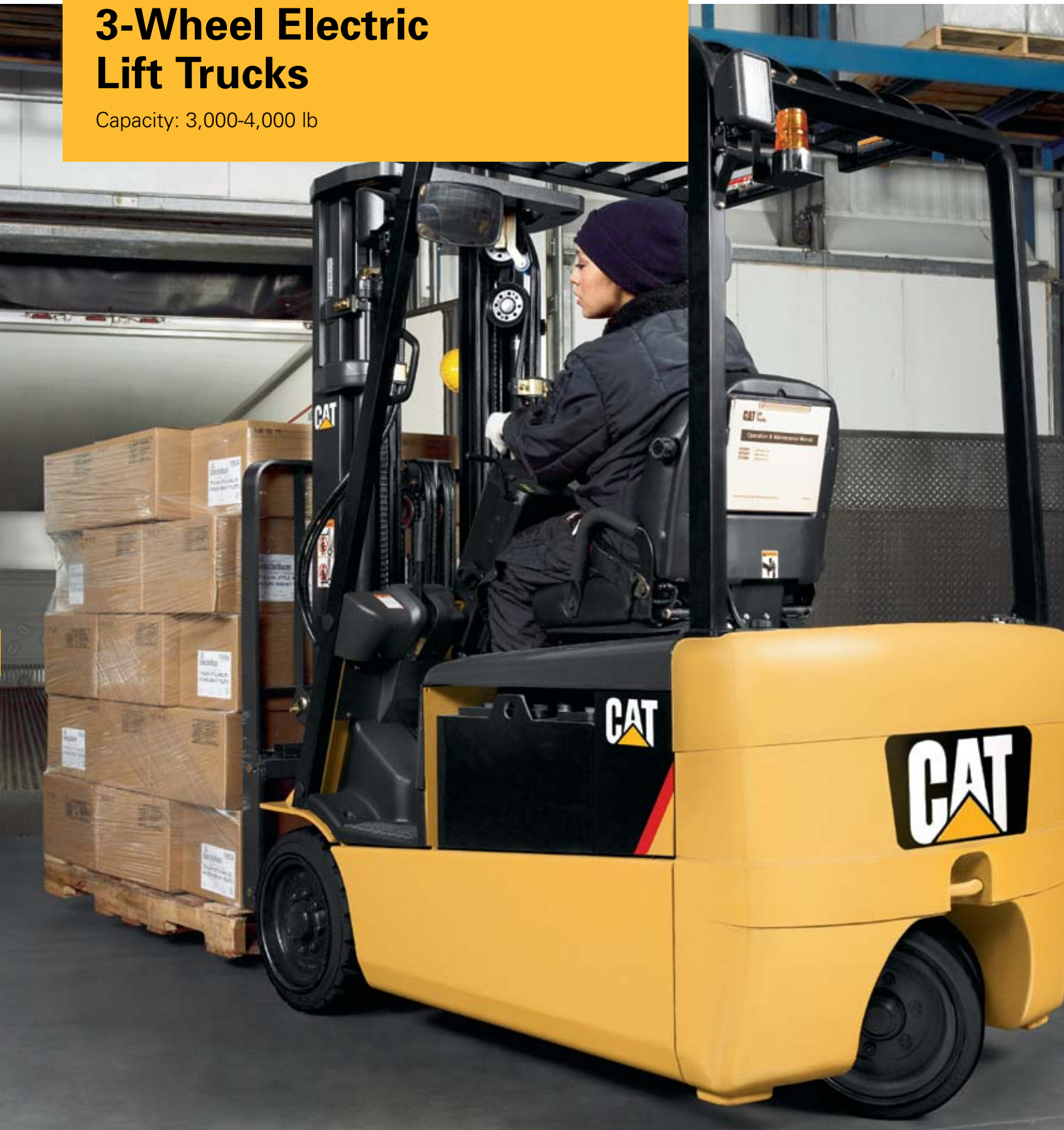






3-Wheel Electric Lift Trucks

Capacity: 3,000-4,000 lb





With rugged and durable design features engineered for performance, our ET3000–ET4000 series of 3-wheel electric lift trucks improves material handling productivity in a full range of demanding manufacturing environments.

ET3000-ET4000 Series

An impressive list of standard features mean you can experience productive results shift after shift.

- Full suspension vinyl seat with operator restraint system
- Hand-operated direction control
- Tilt steering column
- Hand-operated double-action park brake
- Anti-cinch seat belt
- Anti-slip rubber floor mat
- 100% Alternating Current (AC) truck design
- 36/48 volt MicroCommand™ AC control system
- Independently controlled dual AC drive motors
- AC hydraulic/power steering motor
- Transistor Hydraulic Control
- Regenerative braking / Auto-regenerative braking
- Five-level pre-programmed performance mode selector
- Premium display panel read-out features:
 - Five-digit hour meter for truck, drive and pump
 - Run-time fault indicator
 - Programmable service indicator
 - Park brake audible and visible warning
 - Brake fluid level warning light
 - Seat belt audible and visible warning
 - Speedometer
 - Real-time clock
 - Battery Discharge Indicator (BDI) with drive speed reduction and lift interrupt
- UL Type E approval
- SB battery connector
- Battery retainer
- Tilt cylinders with spherical bushings
- Over-temperature protection (pump motor, drive motor, and control panel)
- Three-section hydraulic control valve
- High-strength mast and carriage designs
- Narrow mast channels
- Overhead guard
- Cowl-mounted hydraulic levers
- Operator Presence Detection System (PDS)
- Electronic back-up alarm
- Lugged electric compound drive and steer tires
- Front LED work lights with guards
- Clipboard holder

Model	Base Capacity At 24 in. Load Center (lb)	Battery Compartment L x W x H (in)
ET3000	3,000	20.9 x 40.0 x 24.8
ET3500	3,500	24.9 x 40.0 x 24.8
ET4000	4,000	24.9 x 40.0 x 24.8



Quality



Whether you're handling costly materials or shipping products on a tight schedule, these highly maneuverable trucks offer the functionality you need to stay competitive.



Indicators Keep Operators Informed

To maximize the uptime of your material handling fleet, these trucks include LCD displays of the battery state of discharge; hour meters for the drive motor, pump motor and vehicle; vehicle speed and error codes. In addition, the Light Emitting Diode (LED) section of the display panel provides indicators for service due, seat belt, overheating, battery low, brake fluid level, parking brake and fault detection.



Unmatched Comfort

Comfortable operators are productive operators. A premium quality three-way full suspension seat that helps reduce shock and vibration is standard on these trucks. The operator compartment also features a pedal layout and ergonomically designed controls that reduce operator fatigue while enhancing operator security. A conveniently located grab bar further improves access. The heavy-duty floor mat is slip resistant and designed for durability in rugged applications.

Added Operator Protection

The advanced Cat Lift Trucks operator Presence Detection System (PDS) helps protect the operator and the loads by initiating a series of protective actions if the operator leaves the normal seated operating position:

- The drive function is temporarily disengaged.
- Power temporarily disconnects from the hydraulic lift and tilt functions.
- In addition, if the operator has not applied the parking brake, the parking brake alarm will sound.

When the operator returns to the normal seated operating position, a buzzer will sound to remind him to fasten his seat belt.



Reliability



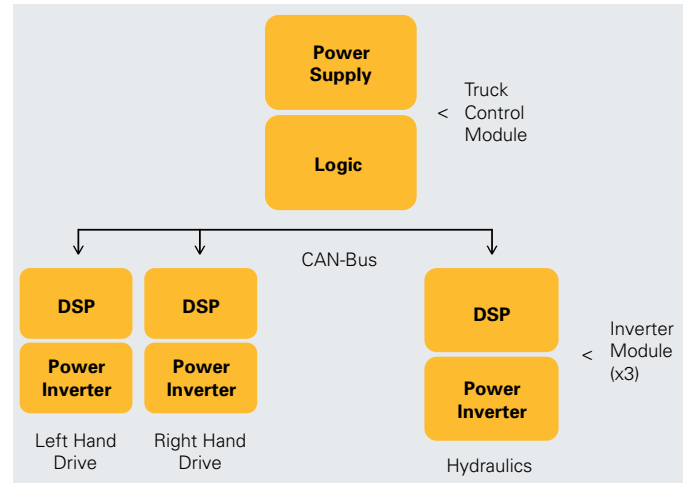
Our 3-wheel electric trucks have great maneuverability and are ideal for loading and unloading trailers.

Model Type	Capacity Range (lb)	Minimum Working Aisle* (in)
Stand-Up End Control	3,000-5,000	123.0-128.5
ET3000-ET4000 Series	3,000-4,000	128.5-134.0
4-Wheel Sit-down Electric	3,000-6,500+	139.0-150.5+

* Based on 48 in. load length and minimum operating clearance of 6 in.

Lift With Less Deflection

Good visibility of the forks, loads and surrounding environment helps to ensure the security of operators and their materials. These trucks offer a wider view between the mast channels than many competitive trucks. In addition, the deeper channel webs allow the use of larger load rollers, providing the strength and rigidity necessary to handle heavy loads.



The Power And Speed You Need

Our dependable AC lift trucks offer superior lift, lower and travel speeds. The ET3000 delivers powerful lifting up to 98 feet per minute (fpm) loaded or 118 fpm empty and lowering speeds up to 102 fpm loaded or 98 fpm empty, for excellent material handling productivity. For applications requiring long travel distances, this same truck delivers travel speeds as high as 10.6 mph.

These reliable trucks come equipped with transistor hydraulic control, which provides improved energy efficiency and quiet operation while reducing the potential for heat build-up during demanding hydraulic applications, such as the use of lift truck attachments. In addition, the pump motor, drive motor and control panel feature individual thermal protection systems to guard against overheating.

Improved Diagnostics And Doubled Service Interval

Whether conveniently accessed via the display panel or using a laptop computer, the fault history folder is quickly available and provides the service technician access to 32 fault codes. This allows for a more efficient troubleshooting and truck monitoring session, and helps reduce the overall downtime of the truck.

In comparison with many competitive models that typically offer 250-hour service intervals, these 3-wheel lift trucks come with service intervals up to 500 hours. If you run your trucks 8 hours a day with a conventional 250 hour service interval, they'll require Planned Maintenance (PM) every six weeks. With our trucks, you double the time between service intervals up to 12 weeks, while cutting your predictable downtime and PM costs in half!

AC Systems Optimize Productivity

To optimize the productivity and energy efficiency of your material handling operations, reliable AC technology powers the drive, hydraulic and steering systems. These dependable vehicles offer exceptional performance, with faster travel speeds and quicker lift/lowering speeds to keep you moving at peak capacity.

The innovative MicroCommand™ AC control system, featuring advanced MOSFET and thermal management technology, optimizes the productivity and energy efficiency of your material handling operations. A modular design separates the main logic unit and power supply from the power inverter and Digital Signal Processing (DSP) card, simplifying servicing by enabling the replacement of individual components.



Customer Service



Cat Lift Trucks is committed to providing industry-leading customer service, delivered by experienced and reliable material handling dealers. We put customer needs first, with the most comprehensive customer support programs.

Dealers You Can Depend On

With hundreds of dealer locations throughout North and South America, Cat lift truck dealers provide more than lift trucks. From flexible financing options, parts, service and product support, our dealers are unsurpassed, delivering superior customer service that sets us apart from the competition—before, during and after the sale.

Our dealers make available leading support programs with every new Cat lift truck you purchase, including:

- Genuine Cat lift truck OEM parts
- Planned Maintenance
- Total maintenance and repair
- Promatch® parts for all brands of lift trucks
- Rental fleet availability
- Convenient dealer branch locations

Flexible Financing Options

Financing your next Cat lift truck is easy with our wide range of flexible leasing and purchasing options. Our industry-leading financing support can include:

- 12-Month interest free financing program
- 90-Day delayed payment program
- Factory subsidized lease rates
- Payment terms from 12-76 months
- Extended term, skip payment and early termination leases

Whether you want to finance or lease, your local Cat lift truck dealer can help customize a package tailored to your specific needs.

Best Warranty In The Industry

We stand behind our products, giving you peace of mind by helping your trucks stay on the job, day after day. Every new Cat lift truck is covered by a two year unlimited hours warranty that includes parts and labor regardless of service hours. All components and systems, including hydraulic, electrical, cooling, brake, fuel, steering, exhaust, mast and operator controls are covered. Combined with our standard 3 year / 6,000 hour extended powertrain warranty, you'll have confidence and peace of mind that only comes from owning a Cat lift truck.

First Planned Maintenance Free

Proper maintenance of your truck helps assure top performance over the long haul and helps extend truck longevity. That's why every Cat lift truck is backed by experienced and reliable dealers who make sure your truck is properly maintained. You'll experience this first hand because every new Cat lift truck gets its first planned maintenance completed by your local Cat lift truck dealer free of charge.



Parts Fast Or Parts Free Guarantee

This program ensures next-business-day delivery of parts for all brands of lift trucks, or they are free, including freight. We've made this guarantee available specifically to the owner or primary user of any brand of lift truck to substantiate our pledge.

Orders must be placed through your local dealer by 5:00 p.m. Eastern Standard Time, and you must advise the dealer at the time of order that the part is to be expedited under the terms of the guarantee. If your part doesn't come in by the next business day, we pay for it. It's as simple as that.

There are some exclusions including parts over 100 lbs and paint, chemicals or lubricants that require special handling. Ask your dealer for a full list of terms and conditions for the Parts Fast or Parts Free Guarantee.

Free Loaner Service Guarantee

If your lift truck is not repaired right the first time or within the quoted time, you can receive a free loaner truck until the repair is completed. This guarantee covers a wide range of lift truck makes and models. Ask your dealer for complete "Terms and Conditions" of this guarantee.

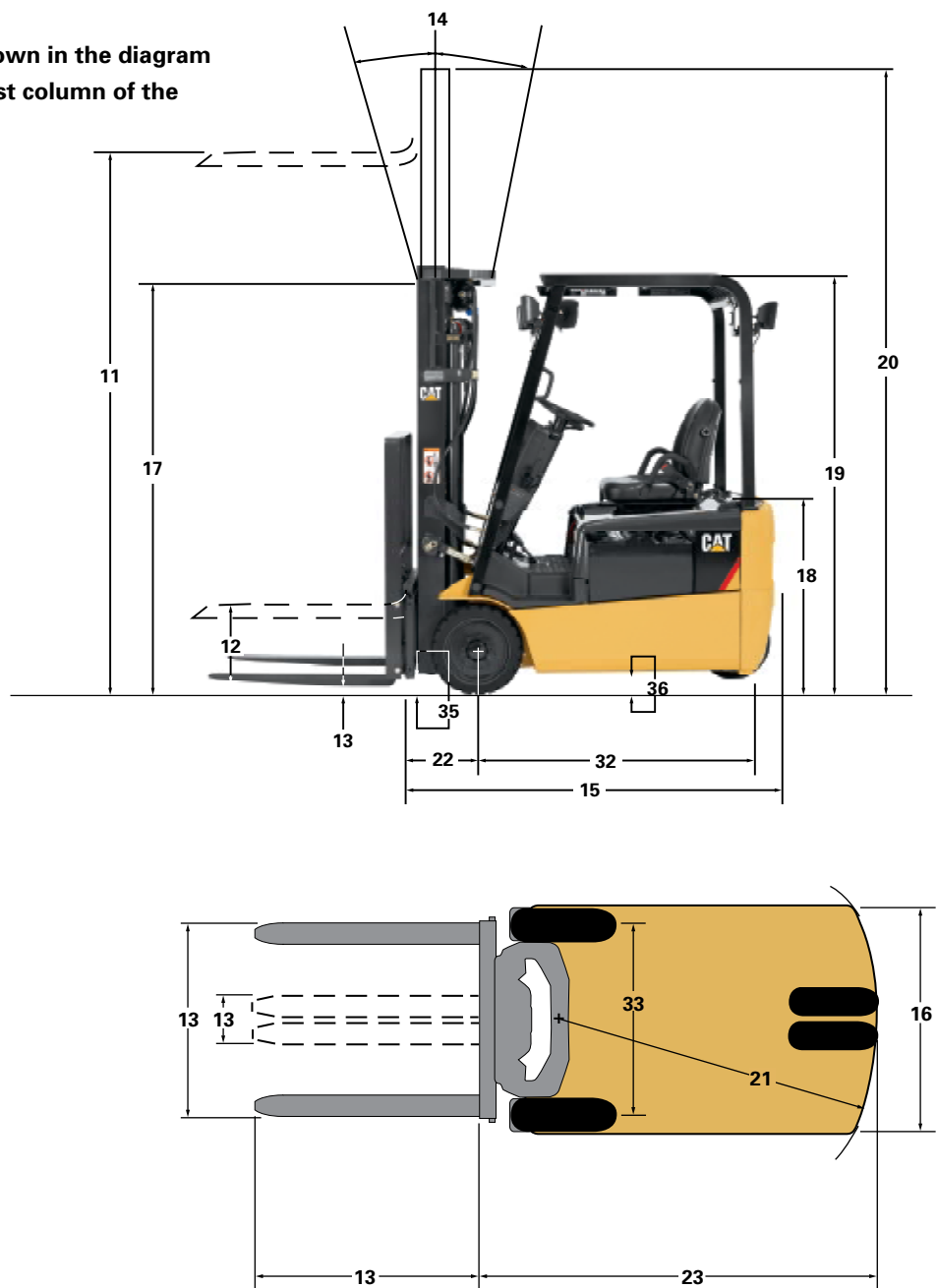
Specifications

Characteristics					ET3000		ET3500		
1	Capacity	at rated load center	lb	kg	3,000	1,600	3,500	1,800	
2		at load center – distance	in	mm	24.0	500	24.0	500	
3	Power	diesel, gasoline, LP gas, electric			electric		electric		
4	Tire type	cushion, pneumatic			cushion		cushion		
5	Wheels (x = driven)	number front / rear			2x / 2.0		2x / 2.0		
Dimensions					ET3000		ET3500		
10	Lift	maximum fork height with rated load	in	mm	188	4,790	188	4,790	
11	Lift with standard two-stage mast	maximum fork height	in	mm	130	3,300	130	3,300	
12		free fork height	in	mm	4.5	115	4.5	115	
13	Forks	thickness x length x width	in	mm	1.4x42.0x3.9	35.0x1,070x100	1.4x42.0x3.9	35.0x1,070x100	
	Fork spacing	out-to-out minimum / maximum	in	mm	9.4/36.0	240/918	9.4/36.0	240/918	
14	Tilt	forward / backward	deg		6.0° / 7.0°		6.0° / 7.0°		
15	Overall dimensions	length to fork face	in	mm	74.5	1,895	78.5	1,995	
16		width	standard	in	mm	42.0	1,070	42.0	1,070
			w/ wide stance drive wheels	in	mm	n / a		n / a	
17		height	with lowered mast	in	mm	83.0	2,105	83.0	2,105
18			seat height to SIP	in	mm	42.5	1,082	42.5	1,082
19			to top of overhead guard	in	mm	80.5	2,040	80.5	2,040
20	with extended mast		in	mm	179	4,550	179	4,550	
21	Minimum outside turning radius		in	mm	59.5	1,515	64.0	1,620	
22	Load moment constant		in	mm	14.8	376	14.8	376	
23	Minimum aisle - 90° stack – zero clearance w/o load		in	mm	74.5	1,893	78.5	1,996	
Performance					ET3000		ET3500		
24	Speeds	travel loaded / empty	36V	mph	km/h	9.4/10.6	15.1/17.0	8.9/10.6	14.4/17.0
			48V	mph	km/h	10.6/10.6	17.0/17.0	10.6/10.6	17.0/17.0
25		lift speed loaded / empty	36V	fpm	m/s	79.0/110	0.4/0.56	69.0/110	0.35/0.56
			48V	fpm	m/s	98.0/118	0.5/0.6	87.0/118	0.44/0.6
26	lowering speed loaded / empty	36V	fpm	m/s	102/98.0	0.52/0.5	102/98	0.52/0.5	
		48V	fpm	m/s	102/98.0	0.52/0.5	102/98	0.52/0.5	
28	Gradeability	loaded at 1 mph (1.6 kph)	36V	%		13.0		12.0	
			48V	%		27.0		25.0	
		maximum empty	36V	%		30.0		28.0	
			48V	%		35.0		35.0	
Weight					ET3000		ET3500		
29	Empty	w/ minimum weight battery	lb	kg	6,800	3,090	7,250	3,290	
30	Axle load	with rated load	front	lb	kg	9,200	4,175	9,900	4,500
			rear	lb	kg	1,140	515	1,300	590
		without load	front	lb	kg	3,300	1,500	3,500	1,590
			rear	lb	kg	3,500	1,590	3,750	1,700
Chassis					ET3000		ET3500		
31	Tire size	front, standard cushion tires	in	mm	18.0x7.0x12 1/8	457x178x308	18.0x7.0x12 1/8	457x178x308	
		rear cushion tires	in	mm	15.0x5.0x11 1/4	381x127x286	15.0x5.0x11 1/4	381x127x286	
32	Wheelbase		in	mm	51.5	1,305	55.5	1,410	
33	Tread width	front, standard cushion tires	in	mm	35.0	894	35.0	894	
34		rear cushion tires	in	mm	6.7	170	6.7	170	
35	Ground clearance	at lowest point at mast	in	mm	2.9	75.0	2.9	75.0	
36		at center of wheelbase	in	mm	3.9	100	3.9	100	
37	Brakes	service	type		foot-operated, hydraulic		foot-operated, hydraulic		
38		parking	type		hand-operated, mechanical		hand-operated, mechanical		
Powertrain					ET3000		ET3500		
39	Battery	type			lead-acid		lead-acid		
40		maximum capacity	Ah	kWh	950	34.2	950	34.2	
41		at 6 hr. discharge rate	Ah	kWh	770	37.0	770	37.0	
42		weight, minimum	lb	kg	1,910	865	2,200	1,000	
43	Motors	traction output (60 min. rating) x 2	HP	kW	6.7	5.0	6.7	5.0	
44		lift output (15% rating)	HP	kW	18.7	14.0	18.7	14.0	
45	Controls	drive	type		AC Transistor		AC Transistor		
46		hydraulic	type		AC Transistor		AC Transistor		
47	Relief pressure	for attachments at auxiliary	psi	bar	2,250	155	2,250	155	
48	Noise level	mean value at operator's ear	dB(A)		69.2		69.2		

NOTE: These specifications assume the use of drive axles, tires and tilt angles specified. Any modification to specifications, or any other combination of specifications made after the shipment of the truck, requires prior written approval from Mitsubishi Caterpillar Forklift America Inc. ("MCFCA"). (See ANSI/ITSDF B56.1.) Also be advised that overall operating visibility may be affected by the mast configuration and mast options of your forklift truck. Therefore, you may need to add ancillary [auxiliary] devices or modify your operating practices. Consult your dealer for further information.

ET4000	
4,000	2,000
24.0	500
electric	
cushion	
2x / 2.0	
ET4000	
171	4,350
130	3,300
4.7	120
1.6x42.0x3.9	40.0x1,070x100
9.4/36.0	240/893
6.0° / 7.0°	
80.2	2,035
42.0	1,070
n / a	
83.0	2,105
42.5	1,082
80.5	2,040
179	4,550
65.0	1,645
15.4	392
80.0	2,037
ET4000	
8.5/10.6	13.7/17.0
10.6/10.6	17.0/17.0
67.0/110	0.34/0.56
79.0/118	0.4/0.6
102/98.0	0.52/0.5
102/98.0	0.52/0.5
11.0	
23.0	
26.0	
35.0	
ET4000	
7,750	3,520
10,700	4,870
1,430	650
3,550	1,610
4,200	1,910
ET4000	
18.0x7.0x12 1/8	457x178x308
15.0x5.0x11 1/4	381x127x286
55.5	1,410
35.0	894
6.7	170
2.9	75.0
3.9	100
foot-operated, hydraulic	
hand-operated, mechanical	
ET4000	
lead-acid	
950	34.2
770	37.0
2,200	1,000
6.7	5.0
18.7	14.0
AC Transistor	
AC Transistor	
2,250	155
68.5	

Call-out numbers shown in the diagram correspond to the first column of the specifications chart.



Safety Standards

These trucks meet American National Standards Institute/ Industrial Truck Standards Development Foundation, ANSI/ ITSDF B56.1. UL-Classified by Underwriters Laboratories, Inc., as to fire and electric shock hazard only; Type E, EE (optional), Industrial Trucks. Users should be aware of, and adhere to, applicable codes and regulations regarding operator training, use, operation and maintenance of powered industrial trucks, including:

- ANSI/ITSDF B56.1.
- NFPA 505, fire safety standard for powered industrial trucks -type designations, areas of use, maintenance and operation.
- Occupational Safety and Health Administration (OSHA) regulations that may apply.

Specifications, equipment, technical data, photos and illustrations based on information at time of printing and subject to change without notice. Some products may be shown with optional equipment.



Quality

Reliability

Customer Service

Experienced professionals at our dealerships and on our National Accounts Team can assist you with your lift truck purchase or lease. Your Cat lift truck dealer can provide options and additional visual and audible warning devices geared toward your specific requirements. Operator training programs are also available to boost productivity and to help reduce the potential for product damage and personal injury.



3-Wheel Electric Lift Trucks

Capacity: 3,000-4,000 lb

CAT® Lift Trucks

Copyright © 2008 by MCFA. All rights reserved. CAT, CATERPILLAR, their respective logos, "Caterpillar Yellow" and the POWER EDGE trade dress, as well as corporate and product identity used herein, are trademarks of Caterpillar and may not be used without permission. All registered trademarks are the property of their respective owners. Some products may be shown with optional equipment. Printed in U.S.A.

CECM0018

02/08

1-800-CAT-LIFT

www.cat-lift.com