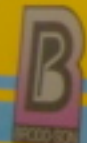


BRODD-SON 2500 SCANDIA



FUTURE + SERVICES
GENERAL TRADING & SERVICE CO. S.R.L.
Tel. : H.O. 2420607
Fax : H.O. 2420608
E-mail: future@future.it
www.future.it

No.

MOTALA-SWEDEN

5 4:31PM



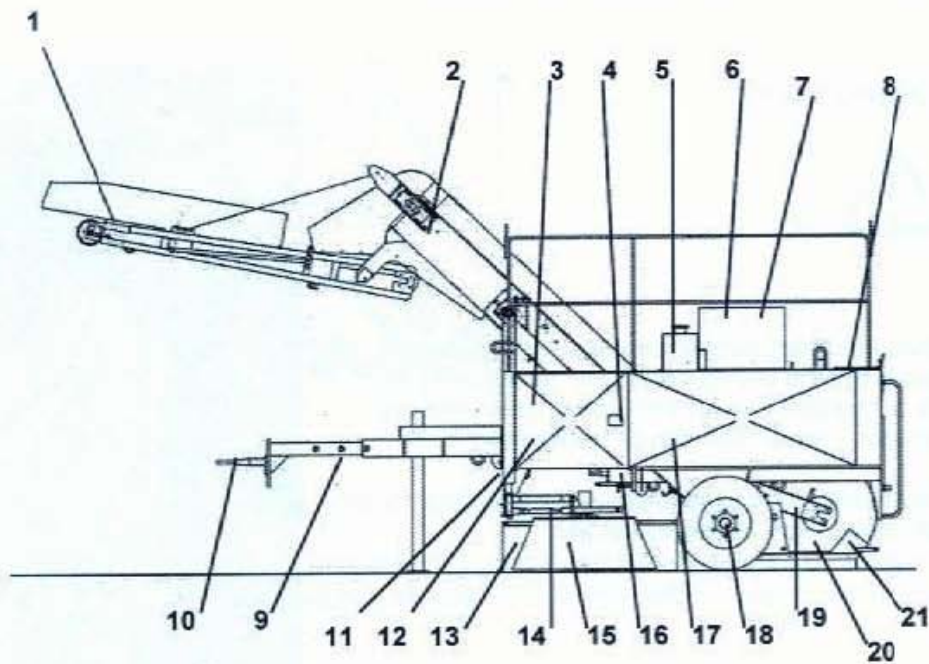
...
No. 10-10-10000
...
No.

5 4:31PM



ASSEMBLY DRAWING

C.3 MAIN COMPONENTS



1. Conveyor belt
2. Elevator
3. Hydraulic valves
4. Side door
5. Fuel tank
6. Engine
7. Hydraulic pump
8. Hydraulic oil tank
9. Towing girder
10. Towing eyelet
11. Sprinkler ramp
12. Water pump
13. String collector
14. Side brush attachment
15. Side brush
16. Chassis
17. Water tank
18. Rear wheel, axle
19. Main brush attachment
20. Main brush
21. Collector shoe

CONFORMITY TO TOWING TRUCK

D.1 GENERAL REQUIREMENTS OF THE TOWING TRUCK

The street sweeper shall be towed by a truck with tipper body.

The towing unit shall be equipped with:

- rotating warning light
- suitable towing device
- suitable electrical socket for lights, brake and direction indicator on the street sweeper
- suitable hook for connection of security chain

D.2 TOWING BAR



When the street sweeper is connected to the towing unit the towing bar should be adjusted so it is horizontal between the towing eyelet and the sweeper or maximum slope 5 degrees.

Adjustment of the height is done by adjusting the height of the towing eyelet (A).

A



D.3 REMOTE CONTROL BOX

The remote control box shall be mounted clearly and easy accessible in the cab of the towing unit easy to reach from the driver's position.

The required electricity is taken from the street sweeper's 12 volts electrical system.

A fuse is located behind the panel of the main operational box inside the right side door.

D.4 ELECTRICAL BOX

The electrical box which is supplied together with the remote control shall be mounted at the rear of the towing coupling.

SAFETY INSTRUCTIONS

E.1 RECOGNITION OF SIGNS AND SIGNALS

WARNING

Serious injuries can be caused if the warning instructions are not followed.

The following warning signs are located onto the sweeper.



Warning sign for rotating side brushes, main brush and elevator.

1 warning sign is mounted on the side door above each side brush, 1 sign on the rear cover to the main brush as well as 1 sign beside the safety cover of the elevator.



Suggested anchoring point
for fixing the machine during
transportation



Suggested lifting points

SAFETY INSTRUCTIONS

E.2 BEFORE OPERATION

Read the instructions manual thoroughly and make sure that you understand how the machine is functioning.

Read all the warning instructions in this book and make sure that you understand them and where they are located.

Control that everything is operating properly on the sweeper.

E.3 DURING OPERATION

Make sure that nobody comes close to the machine.

Make sure that all safety protection devices are mounted onto the machine.

Make sure that nobody is riding on or after the machine.

E.4 EMERGENCY STOP AT REMOTE CONTROL BOX

In an emergency situation the diesel engine and by that means all functions of the machine can be stopped immediately by pushing down the red button on the remote control box.



The emergency stop is marked with the following symbol.

The street sweeper can be re-started as per the following:

- Twist the knob at the emergency stop clockwise in order to return to normal position.
- Twist the operation knob to off-position.
- Start the engine.

E.5 EMERGENCY STOP AT SWEEPING UNIT

In case of an emergency the diesel engine and by that means all functions of the machine can be stopped by pushing down the red button on the street sweeper. The emergency stop is located at the right side of the diesel engine.

The street sweeper can be re-started as per the following:

- Twist the knob for emergency stop clockwise to return to normal position.
- Twist the operation knob on the remote control box to off-position.
- Start the engine.

SAFETY INSTRUCTIONS

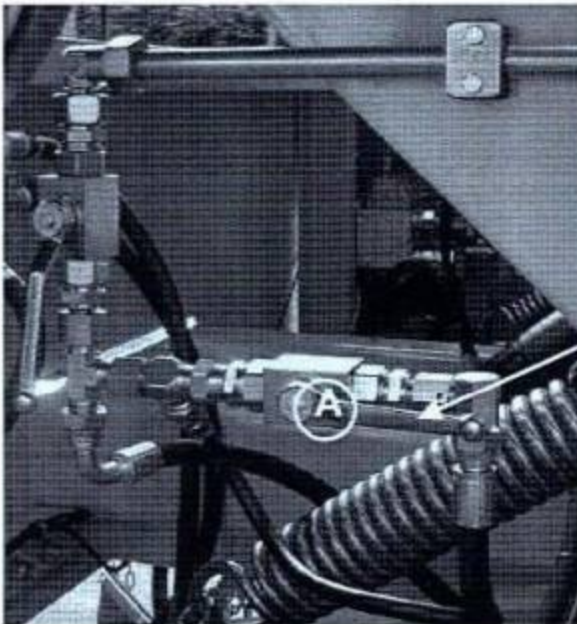
E.6 MANUAL LOWERING OF THE SWEEPING PARTS

If the engine is not running the side brushes, main brush and elevator can be lowered by turning the handle (A) on the valve 90° in counter clockwise direction to **position 1**.

The valve is located behind the left side door.

The oil will go direct to the oil tank and give the result that the sweeping parts will go down to its lower position.

To engage the raise and lowering functions and to be able to operate them from the remote control box the handle (A) has to be returned to its **position 2**.



Position 1



Position 2

SAFETY INSTRUCTIONS

E.7 DISCONNECTION OF THE SWEEPER FROM THE TOWING TRUCK

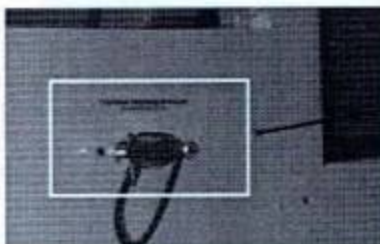
Disconnection can be made as per the following:

- Engage and block the parking brake by cranking the handle (A) clockwise until the parking brake is completely blocked.
- Disconnect the electric system by turning the key at the main switch (D) located on the right front side of the street sweeper and remove the key.
- Remove the electrical socket for the lights.
- Remove the socket for the remote control box.
- Remove the two rubber strings for the conveyor which are fastened at the sides of the tipper body.
- Lower the parking support jack to a proper position by turning the knob (B).
- Disconnect the towing eyelet from the towing truck.



WARNING! At minus temperatures

- Empty the water tank from all water by removing the water plug (C).
- Empty the water filter, water pump, high pressure washing pump, hoses, valves etc. from all water.
- Loosen the hose after the water pump.
- Blow the system free from water by using compressed air until all water is removed.

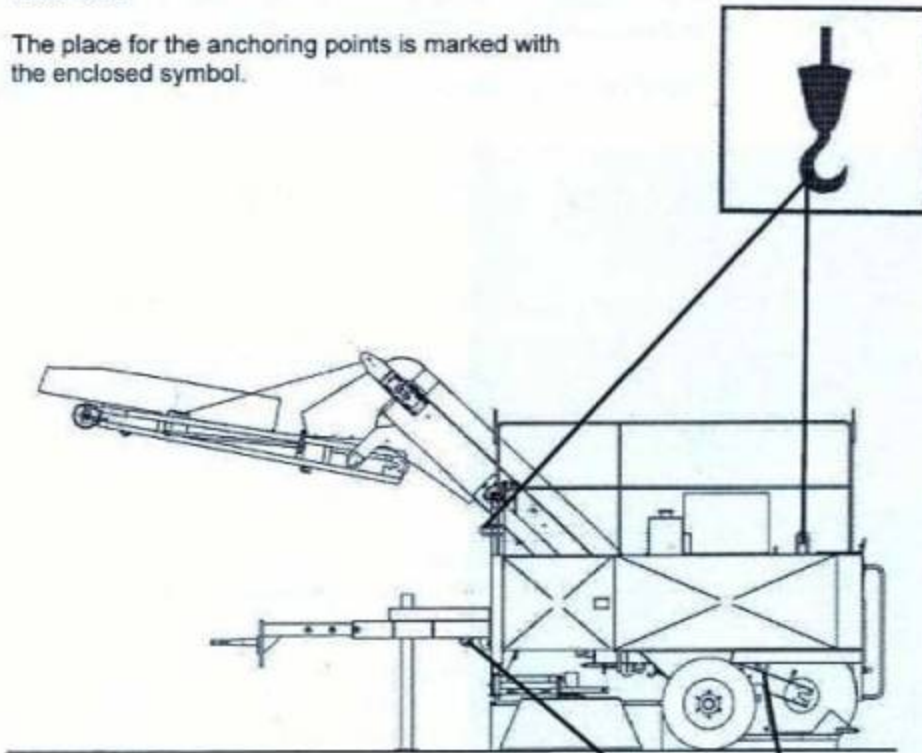


SAFETY INSTRUCTIONS

E.8 TO LIFT UP THE MACHINE ONTO A TRUCK

When lifting the machine a crane can be used and if so the lifting should take place at the following lifting points, which are located on each side of the elevator as well as at the rear end of the water tank.

The place for the anchoring points is marked with the enclosed symbol.



E.9 ANCHORING OF THE STREET SWEEPER FOR TRANSPORT

If the sweeper is transported on another trailer it shall be anchored in the 6 anchoring points which are welded on to the chassi of the sweeper.

The anchoring points are located in front and after the rear wheel as well as on both sides of the towing girdle at the front of the chassi.

The anchoring points are marked out as per enclosed symbol.

